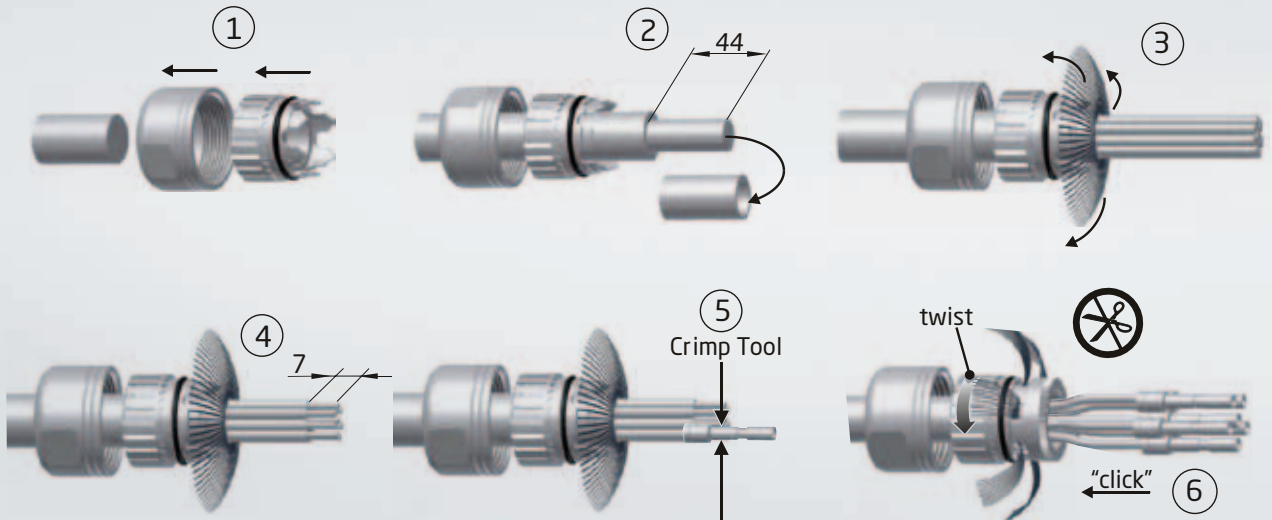
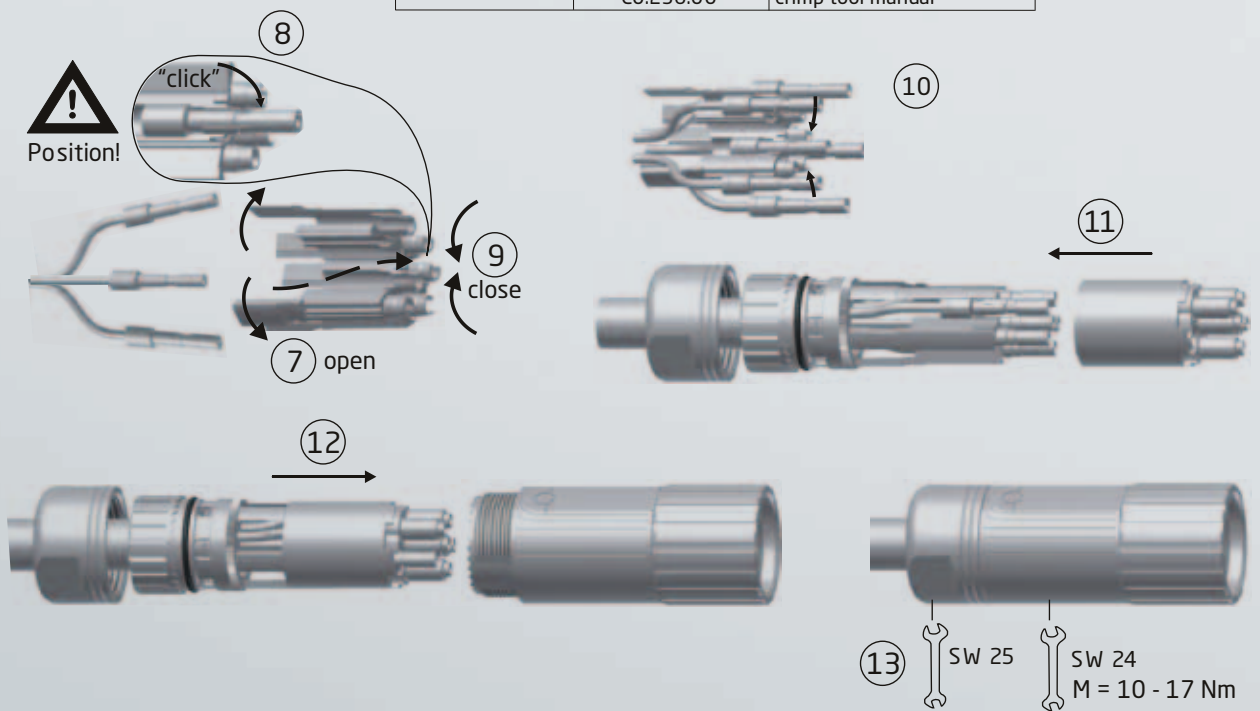


# 923

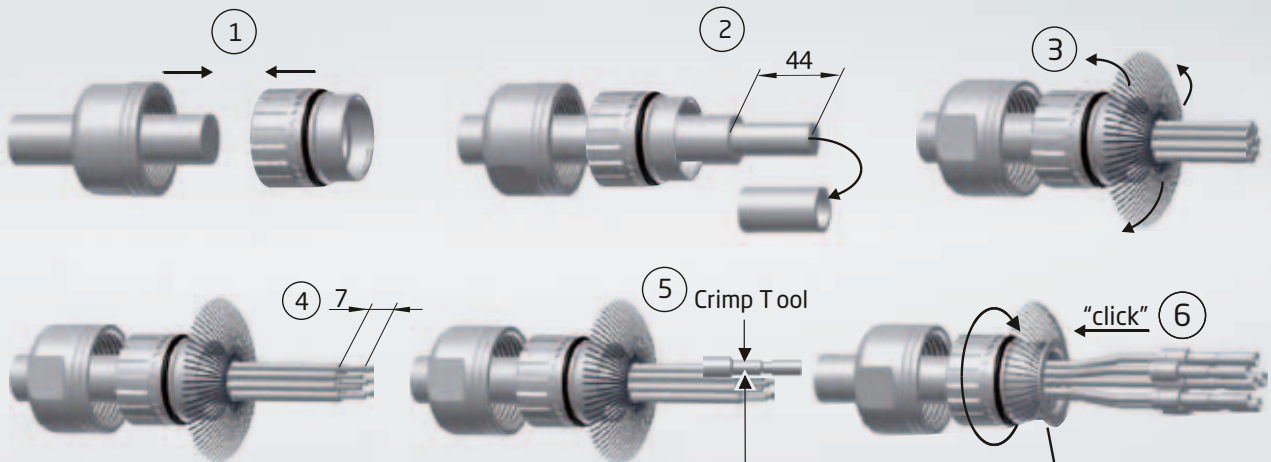
## Serie 923 Stecker 6-polig Kronenklemmung, für Crimpkontakte Series 923 Plug 6-pin crone clamp, crimp version



	a[mm <sup>2</sup> ]	Crimp Tool No.:	Positioner No.:	Colour
Power	0,35 - 2,5	C0.201.00	C0.004.00	blue
	2,5 - 4,0	- " -	- " -	blue
		digital crimp tool C0.236.00	tool settings: see crimp tool manual	

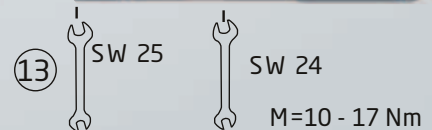
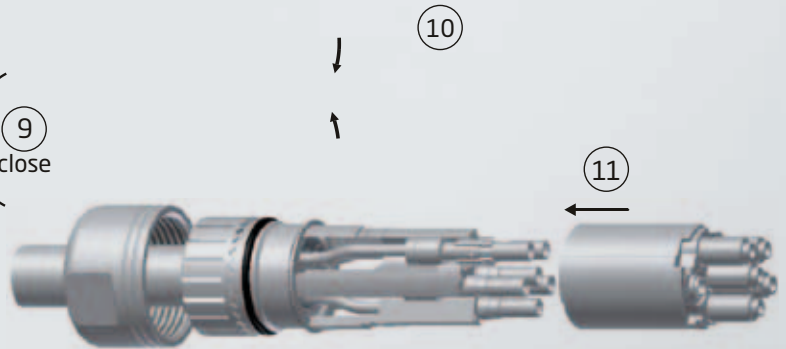
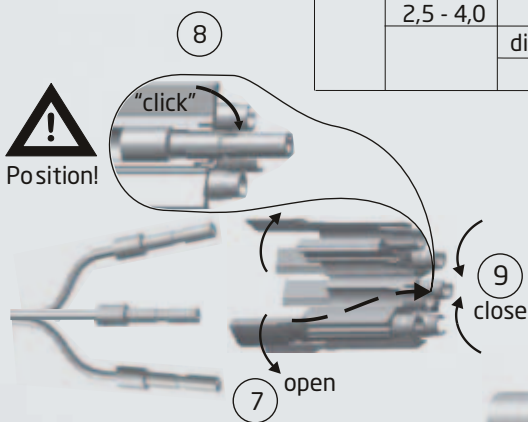


**Serie 923 Stecker 6-polig Lamelle, für Crimpkontakte**  
**Series 923 Plug 6-pin lamella cramp, crimp version**



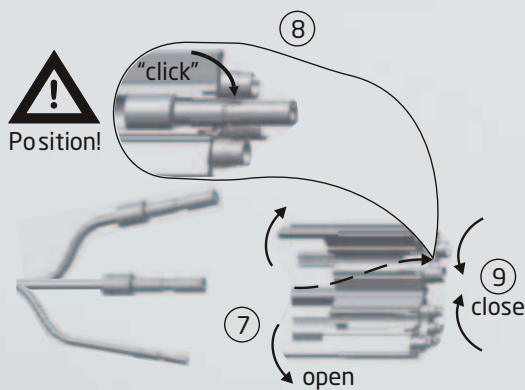
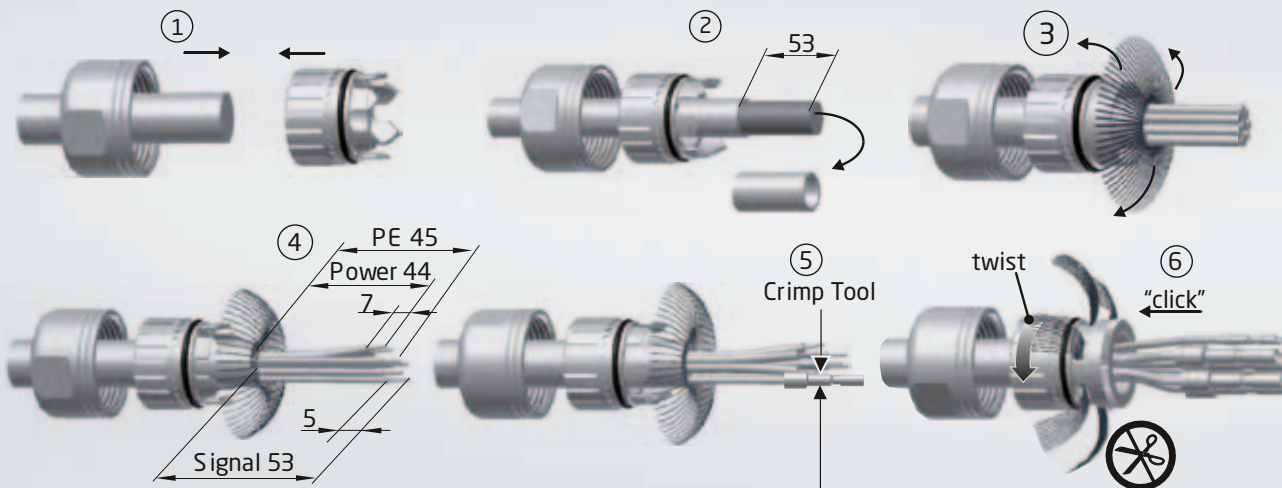
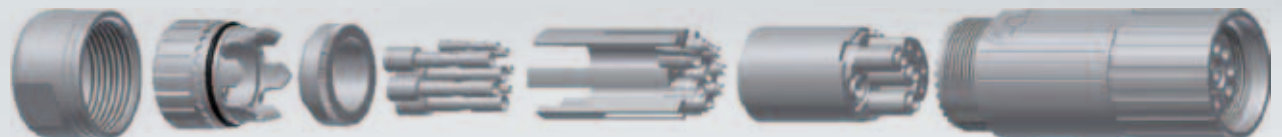
Power	a[mm <sup>2</sup> ]	Crimp Tool No.:	Positioner No.:	Colour
	0,35 - 2,5		C 0.201.00	C 0.004.00
2,5 - 4,0		- " -	- " -	blue
		digital crimp tool C 0.236.00	tool settings: see crimp tool manual	

cut along the metal edge

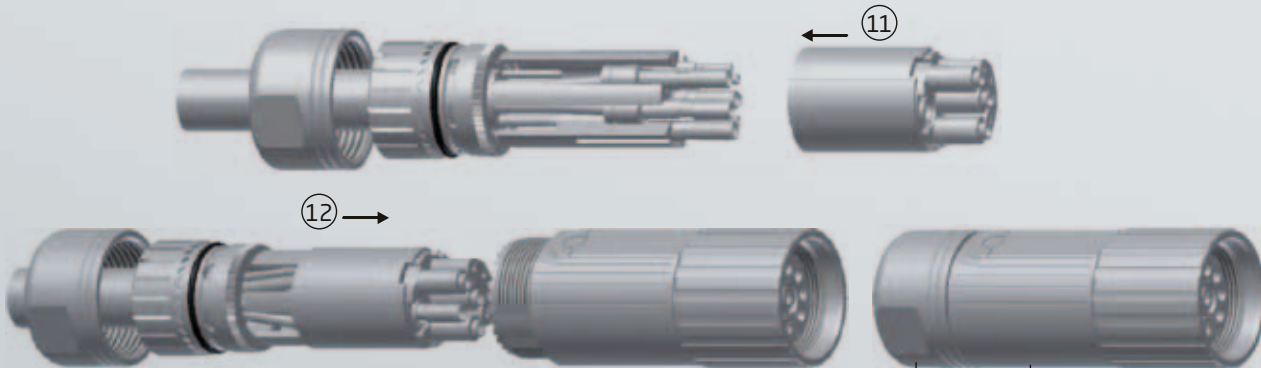
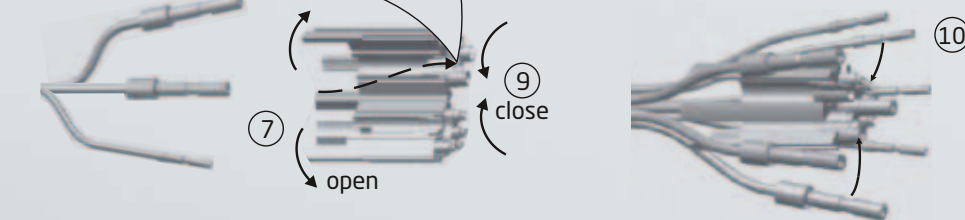


# 923

## Serie 923 Stecker 8-polig Kronenklemmung, für Crimpkontakte Series 923 Plug 8-pin crone clamp, crimp version

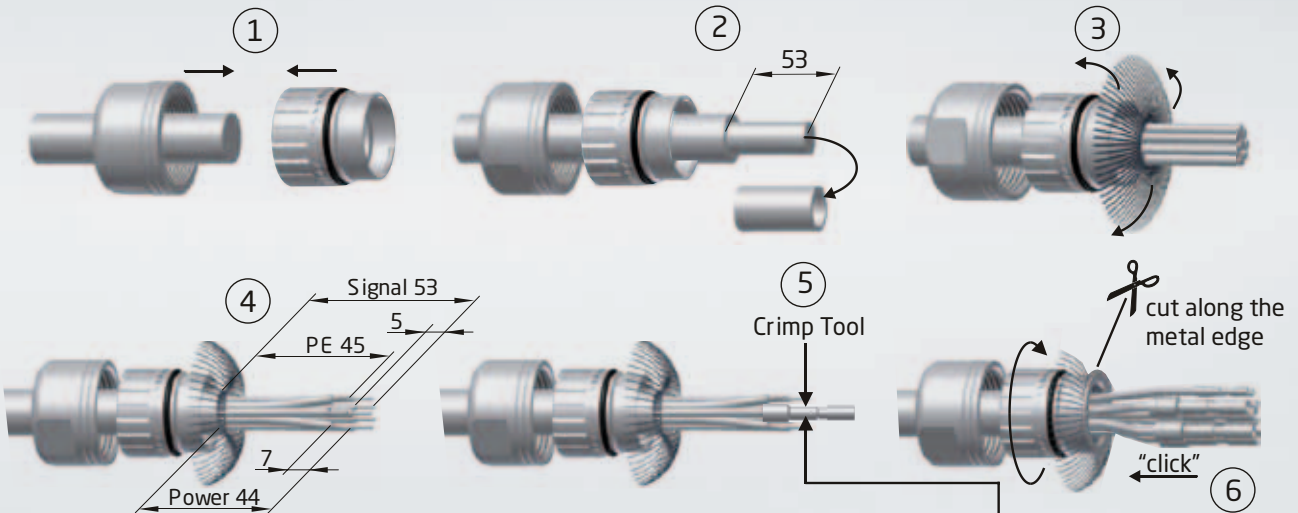


	a[mm <sup>2</sup> ]	Crimp Tool	Positioner	Colour
		No.:	No.:	
Power	0,35 - 2,5	C 0.201.00	C 0.004.00	blue
	2,5 - 4,0	- " -	- " -	blue
Signal	0,14 - 1,0	C 0.201.00	C 0.003.00	green
		digital crimp tool C 0.236.00	tool settings: see crimp tool manual	

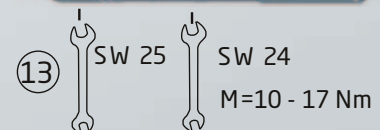
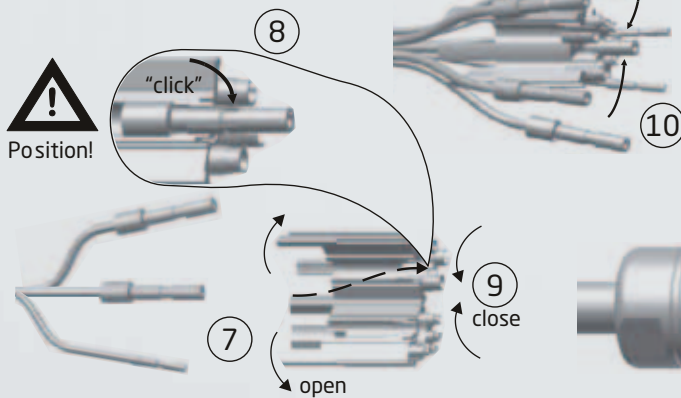


SW 25 SW 24  
M=10 - 17 Nm

**Serie 923 Stecker 8-polig Lamelle, für Crimpkontakte**  
**Series 923 Plug 8-pin lamella clamp, crimp version**

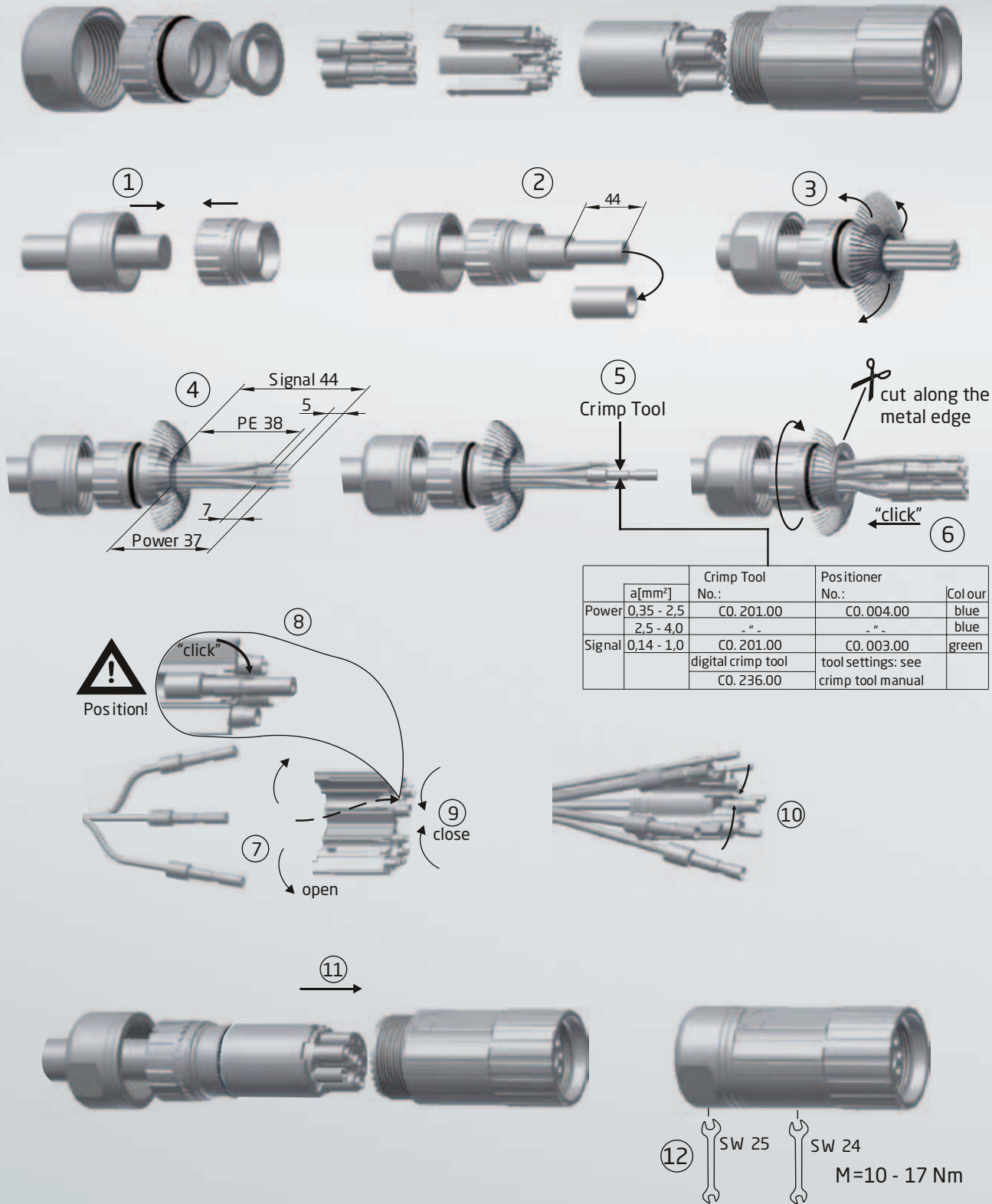


	a[mm <sup>2</sup> ]	Crimp Tool No.:	Positioner No.:	Colour
Power	0,35 - 2,5	C0.201.00	C0.004.00	blue
	2,5 - 4,0	-	-	blue
Signal	0,14 - 1,0	C0.201.00	C0.003.00	green
		digital crimp tool	tool settings: see crimp tool manual	



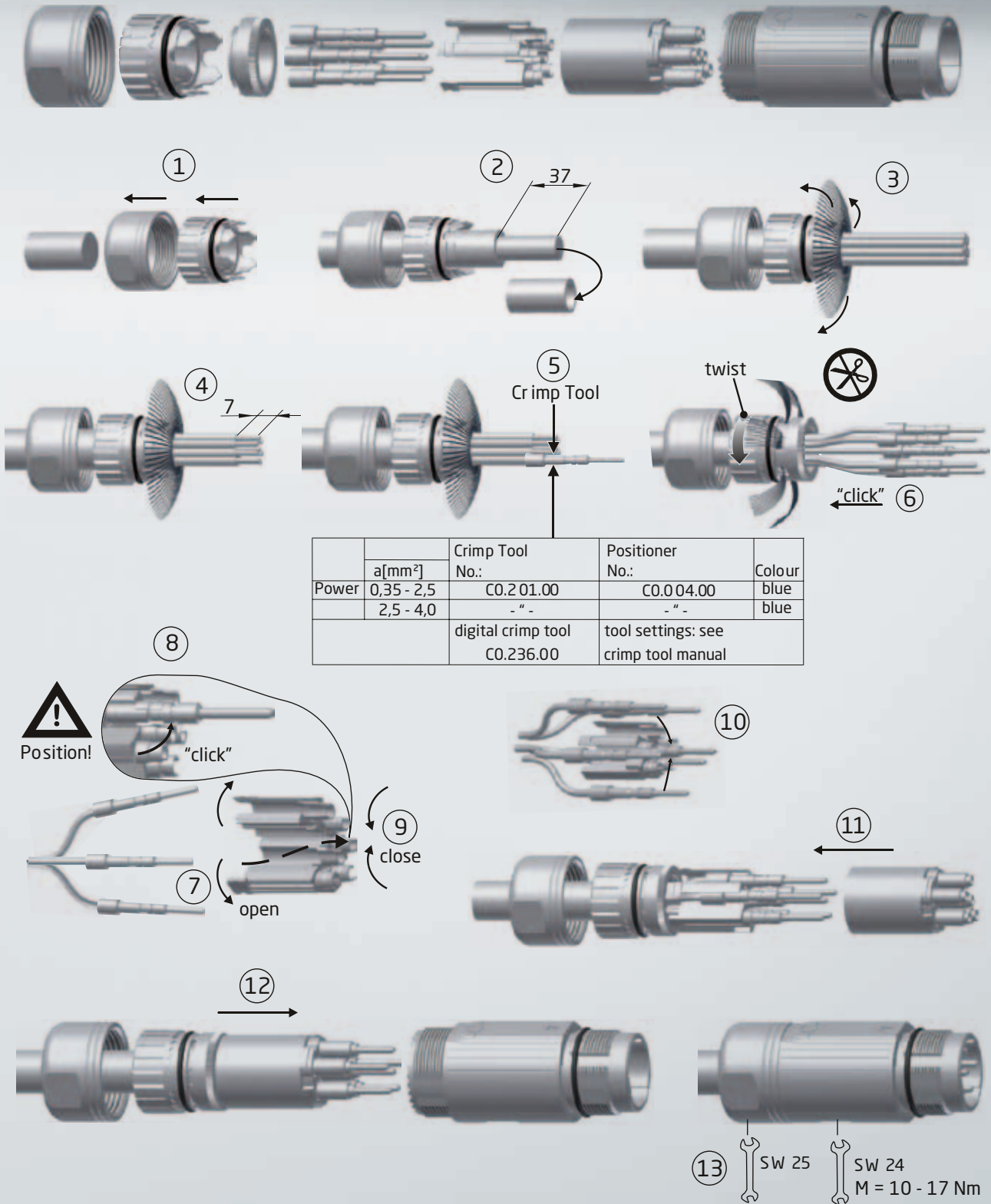
# 923

## Serie 923 Stecker, kurz 8-polig, für Crimpkontakte Series 923 Plug, short 8-pin, crimp version

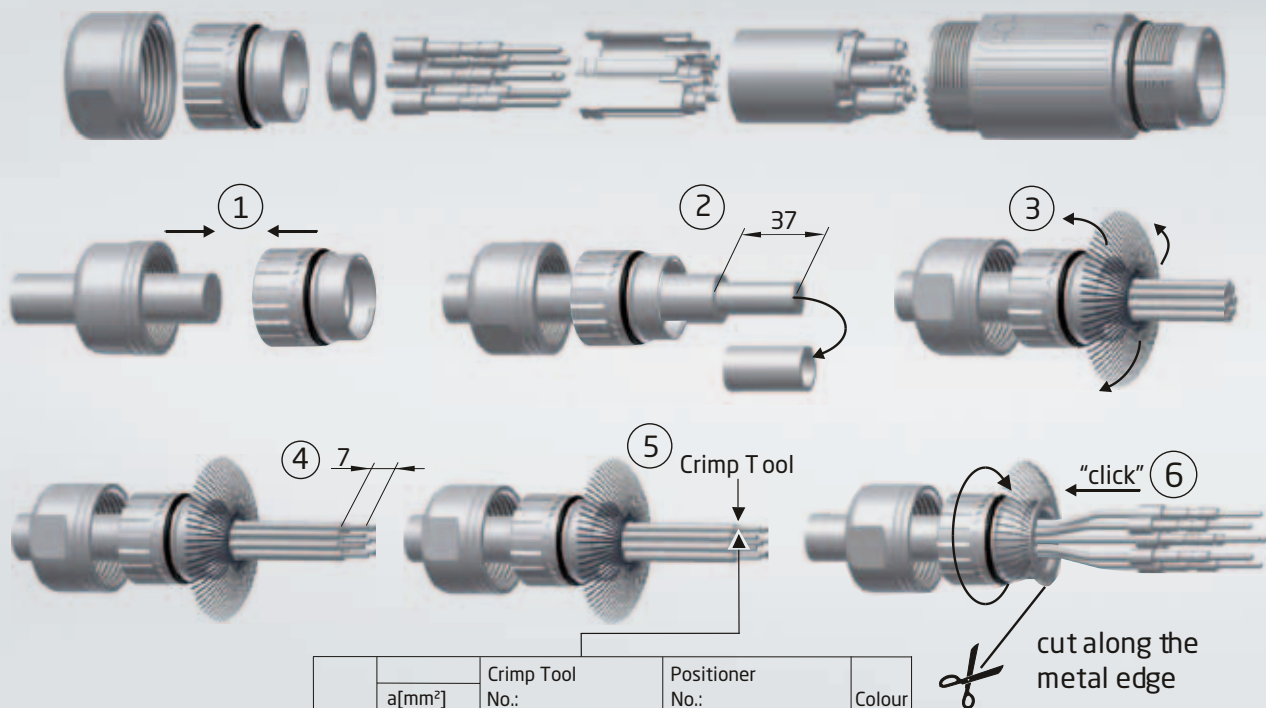


	a[mm <sup>2</sup> ]	Crimp Tool	Positioner	Colour
		No.:	No.:	
Power	0,35 - 2,5	C0.201.00	C0.004.00	blue
	2,5 - 4,0	- "-	- "-	blue
Signal	0,14 - 1,0	C0.201.00	C0.003.00	green
		digital crimp tool	tool settings: see crimp tool manual	
		C0.236.00		

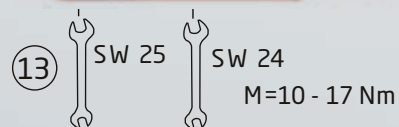
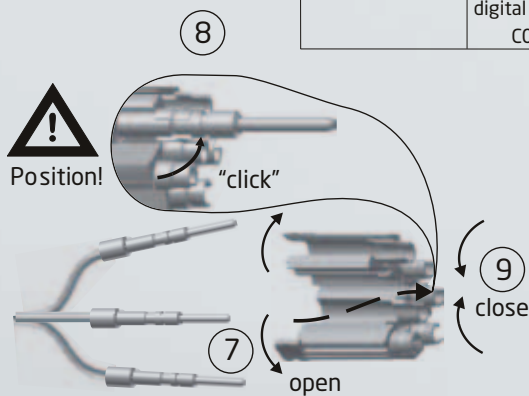
**Serie 923 Kupplung 6-polig Kronenklemmung, für Crimpkontakte**  
**Series 923 Extension 6-pin crone clamp, crimp version**



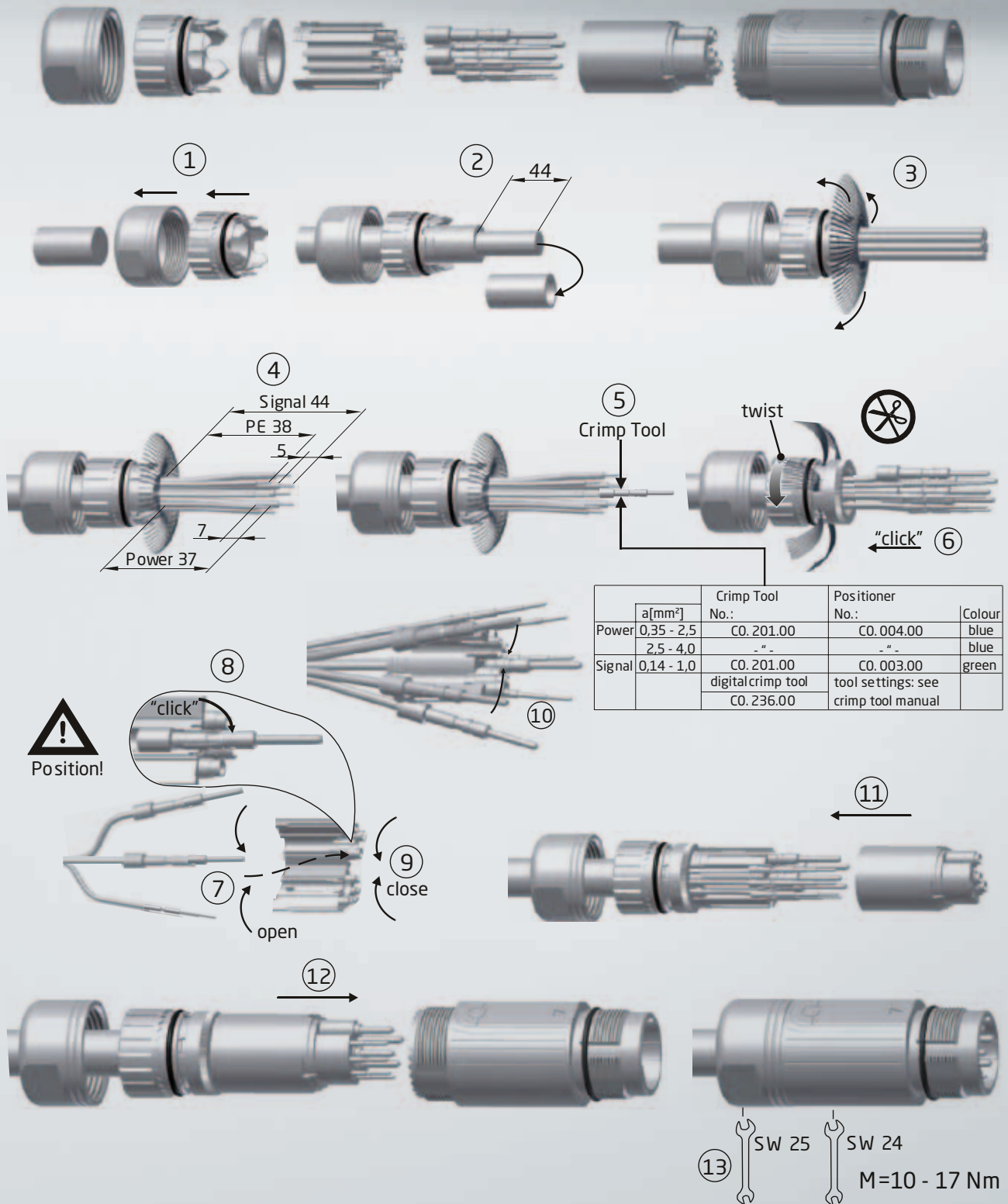
**Serie 923 Kupplung 6-polig Lamellenklemmung, für Crimpkontakte**  
**Series 923 Extension 6-pin lamella clamp, crimp version**



	a[mm <sup>2</sup> ]	Crimp Tool No.:	Positioner No.:	Colour
Power	0,35 - 2,5	C0.201.00	C0.004.00	blue
	2,5 - 4,0	- " -	- " -	blue
		digital crimp tool C0.236.00	tool settings: see crimp tool manual	



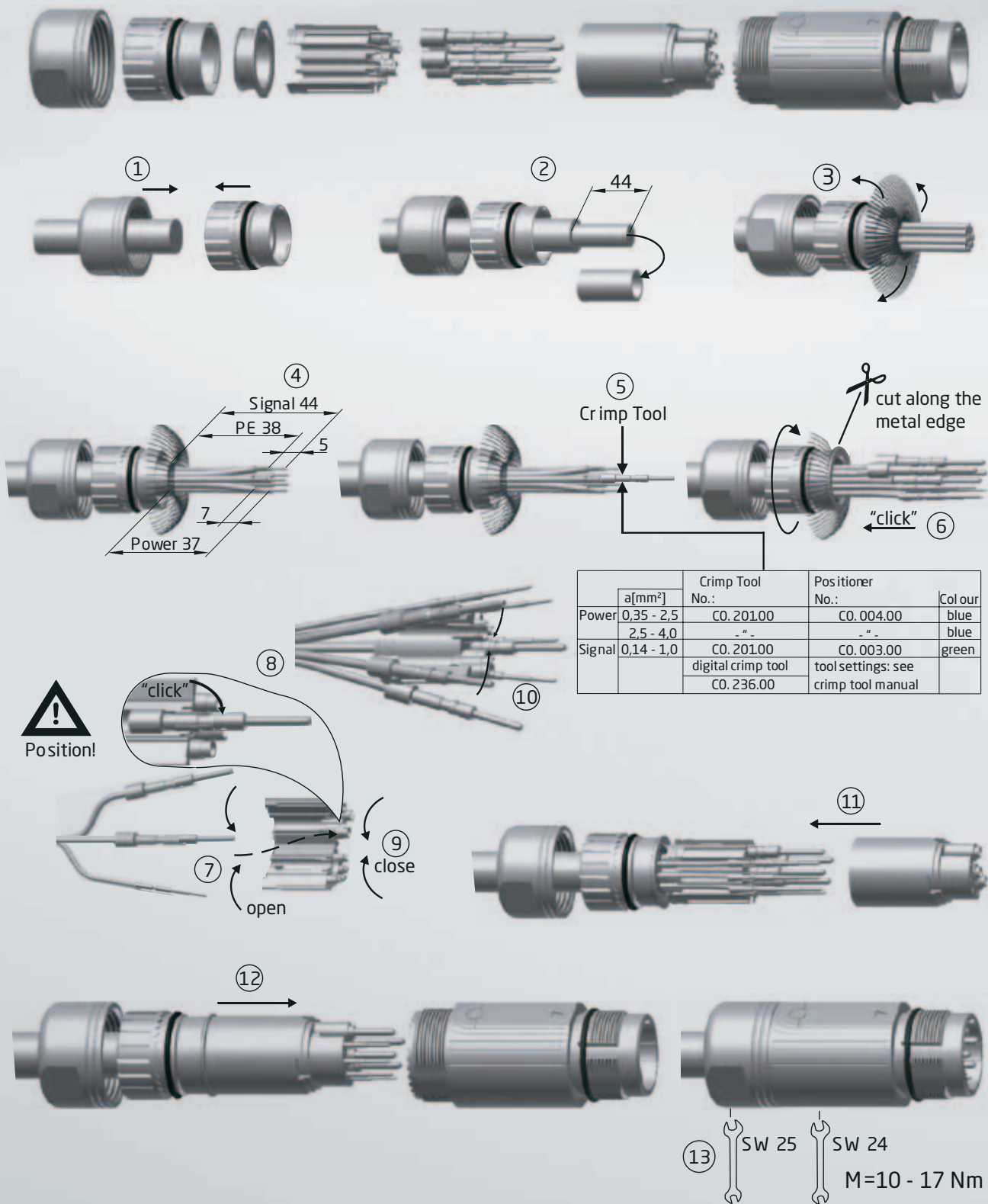
**Serie 923 Kupplung 8-polig Kronenklemmung, für Crimpkontakte**  
**Series 923 Extension 8-pin crone clamp, crimp version**



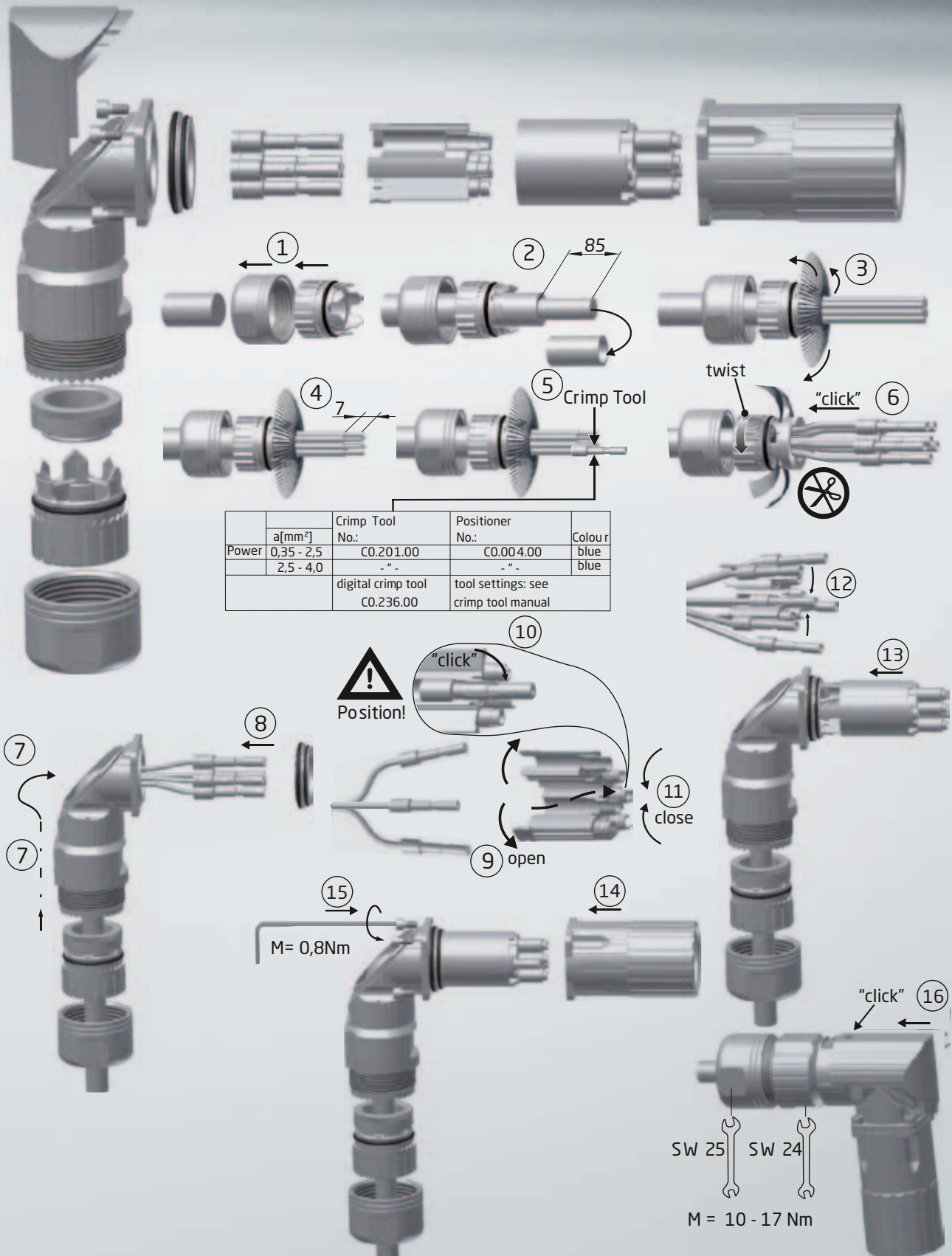


# 923

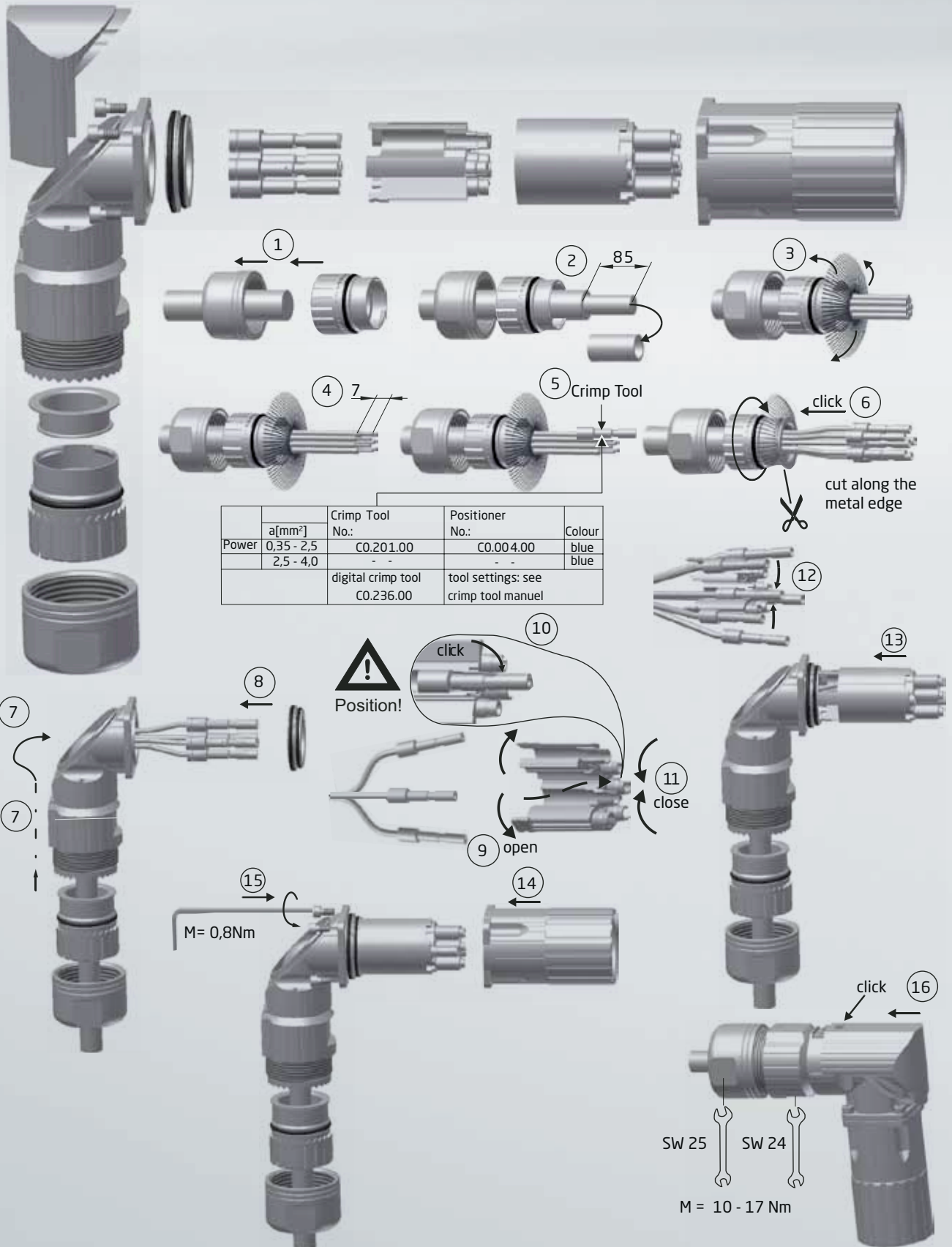
## Serie 923 Kupplung 8-polig Lamellenklemmung, für Crimpkontakte Series 923 Extension 8-pin lamella clamp, crimp version



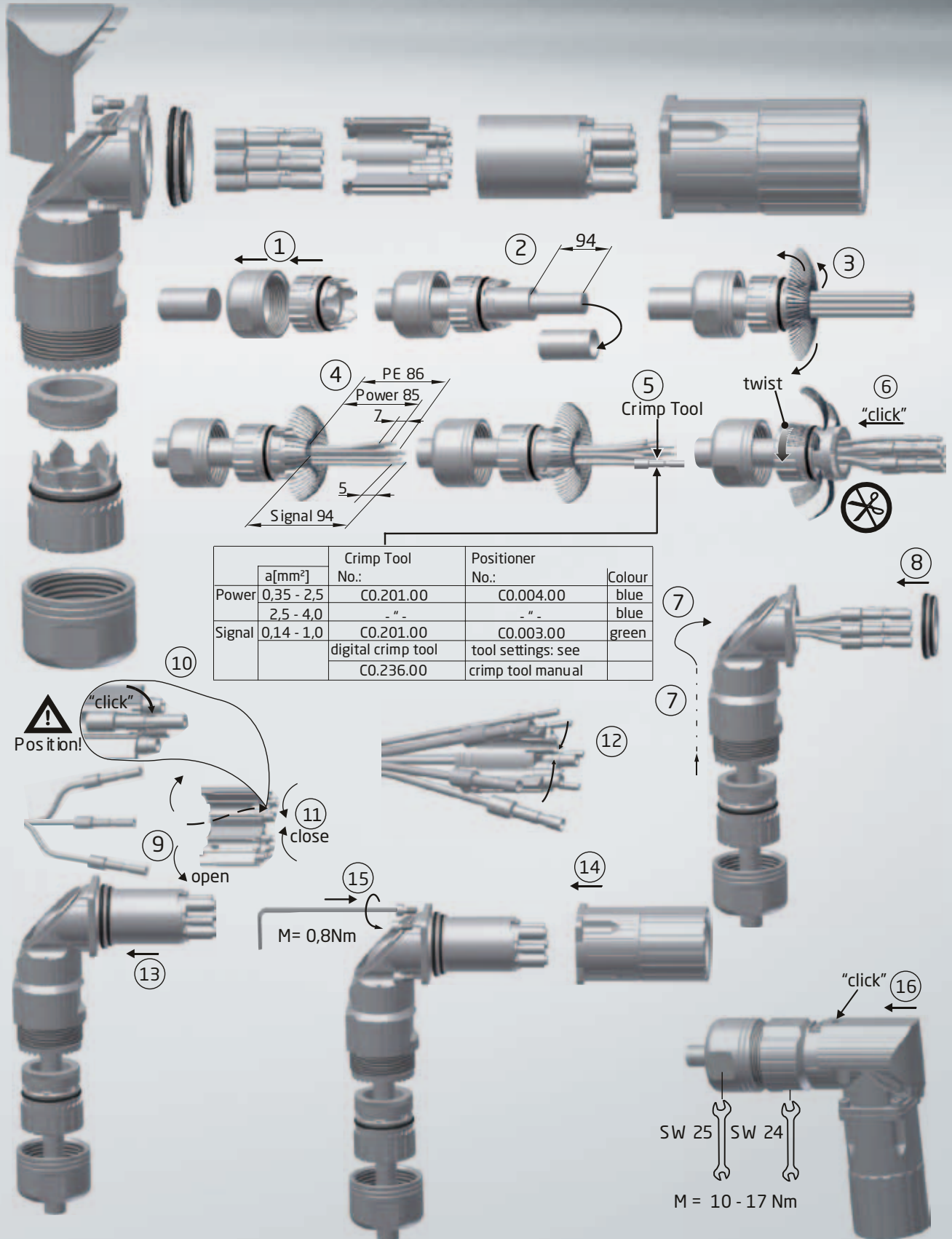
**Serie 923 Winkelstecker 6-polig Kronenklemmung, für Crimpkontakte**  
**Series 923 Plug Angled 6-pin crone clamp, crimp version**



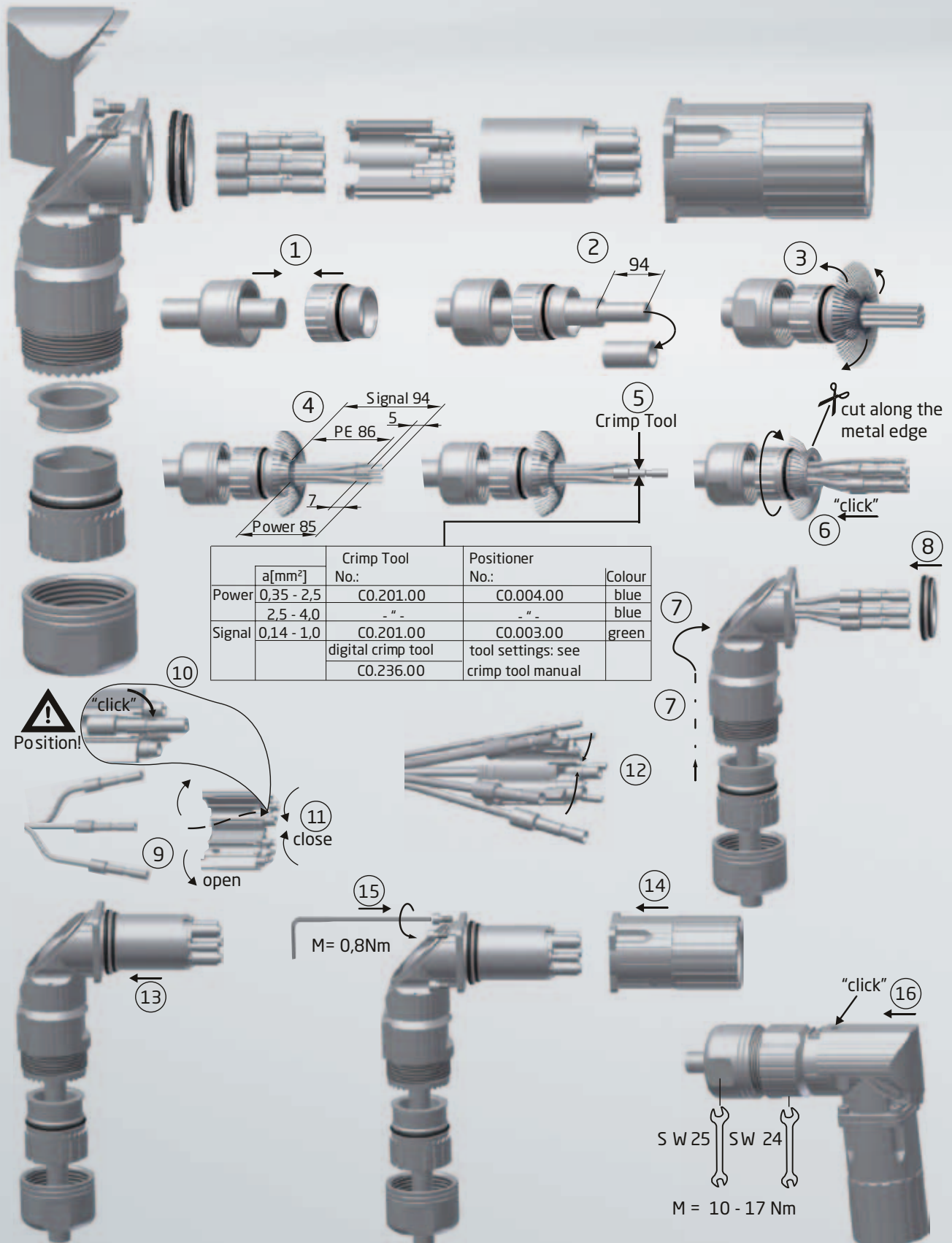
**Serie 923 Winkelstecker 6-polig Lamellenklemmung, für Crimpkontakte**  
**Series 923 Plug Angled 6-pin lamella clamp, crimp version**



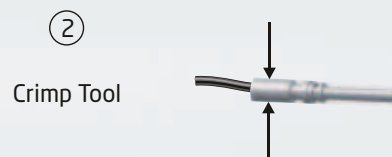
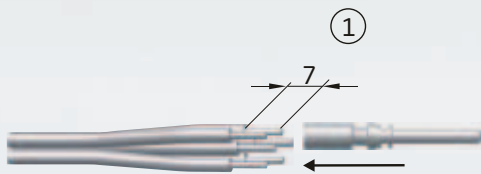
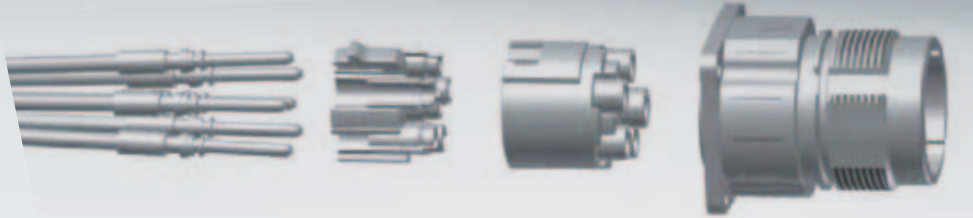
**Serie 923 Winkelstecker 8-polig Kronenklemmung, für Crimpkontakte**  
**Series 923 Plug Angled 8-pin crone clamp, crimp version**



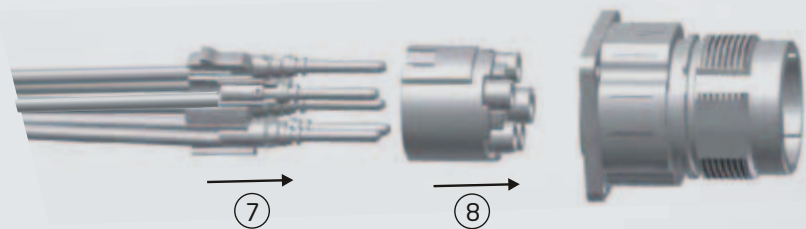
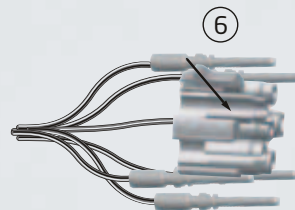
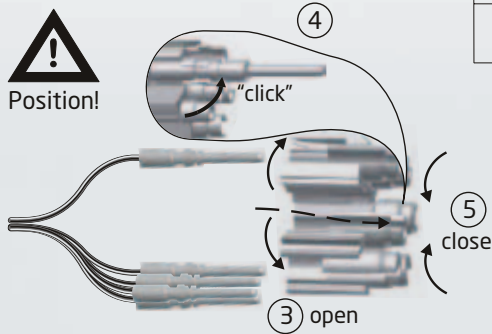
**Serie 923 Winkelstecker 8-polig Lamellenklemmung, für Crimpkontakte**  
**Series 923 Plug Angled 8-pin lamella clamp, crimp version**



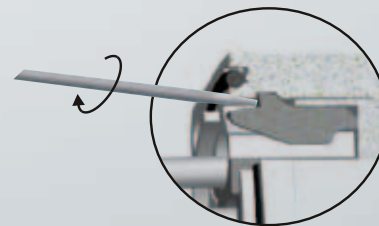
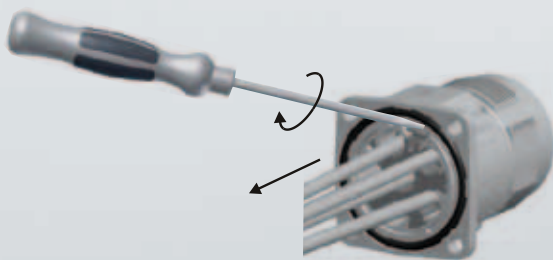
**Serie 923 Einbaudose 6-polig**  
**Series 923 Receptacle 6-pin**



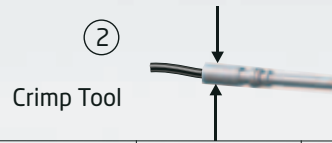
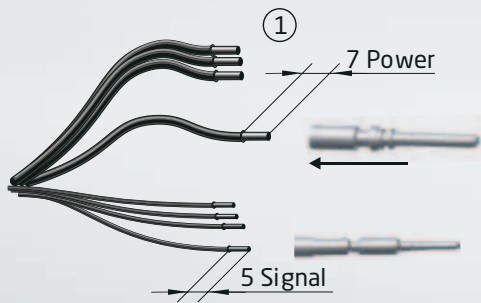
Power	a[mm <sup>2</sup> ]	Crimp Tool No.:	Positioner No.:	Colour
	0,35 - 2,5		C0.201.00	C0.004.00
	2,5 - 4,0	- " -	- " -	blue
		digital crimp tool C0.236.00	tool settings: see crimp tool manual	



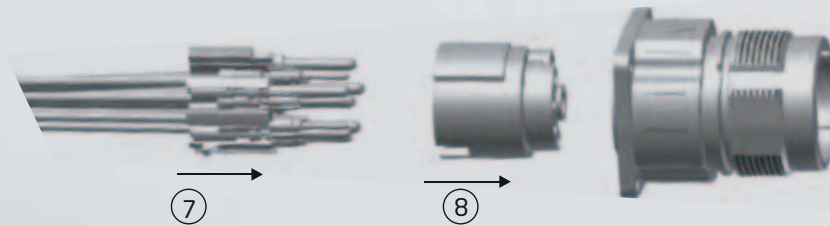
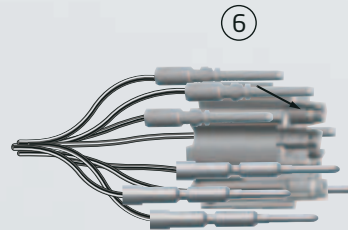
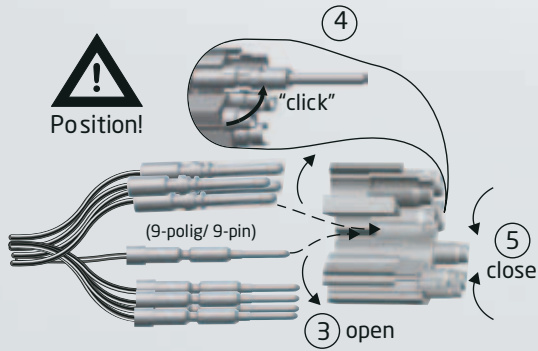
**Demontage / Dismounting**



**Serie 923 Einbaudose 8 / 9-polig**  
**Series 923 Receptacle 8 / 9-pin**



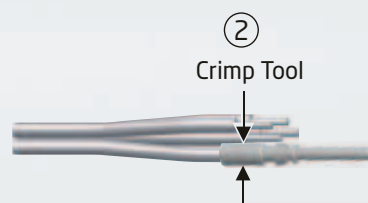
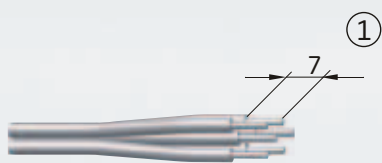
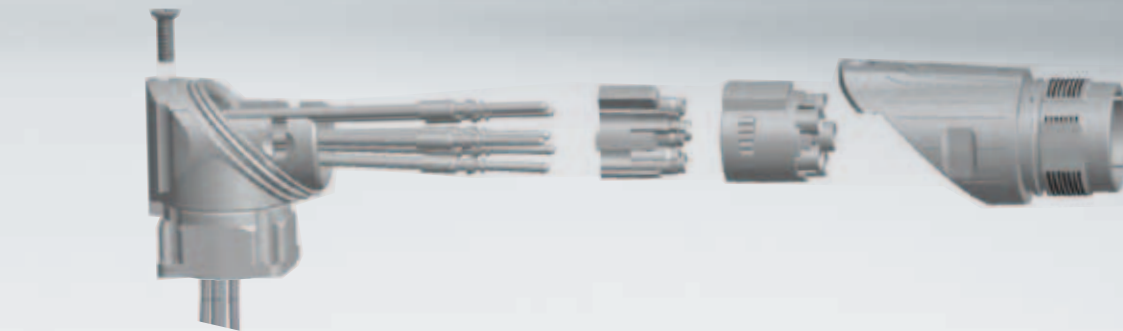
	a[mm <sup>2</sup> ]	Crimp Tool	Positioner	Colour
		No.:	No.:	
Power	0,35 - 2,5	C0. 201.00	C0. 004.00	blue
	2,5 - 4,0	- " -	- " -	blue
Signal	0,14 - 1,0	C0. 201.00	C0. 003.00	green
		digital crimp tool	tool settings: see	
		C0. 236.00	crimp tool manual	



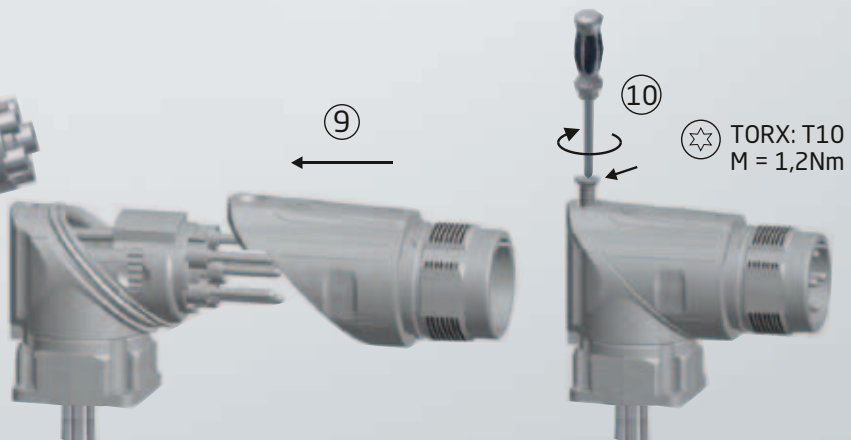
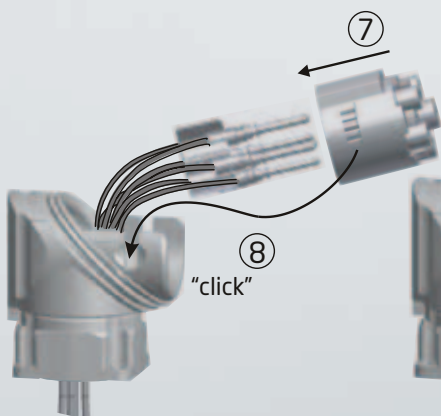
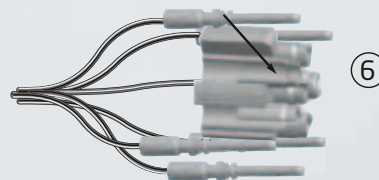
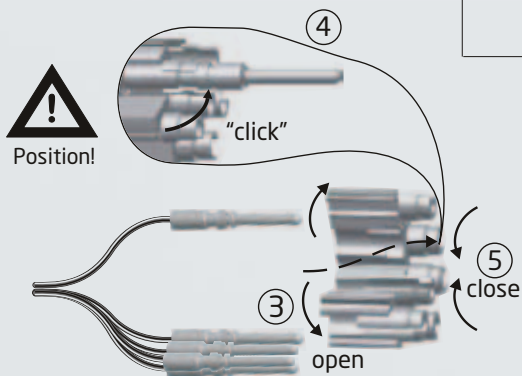
**Demontage / Dismounting**



**Serie 923 Winkeleinbaudose speedtec, 6-polig, drehbar**  
**Series 923 Receptacle Angled speedtec 6-pin, rotatable**



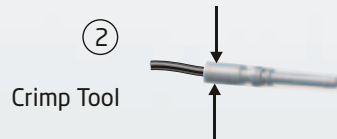
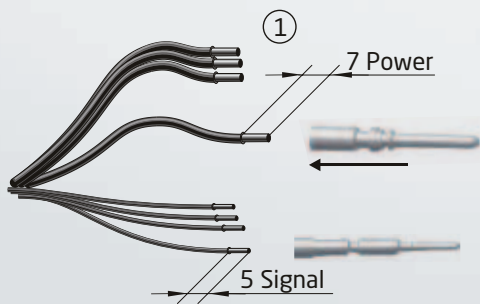
Power	a[mm <sup>2</sup> ]	Crimp Tool No.:	Positioner No.:	Colour
	0,35 - 2,5		C0.201.00	C0.004.00
2,5 - 4,0		- " -	- " -	blue
		digital crimp tool C0.236.00	tool settings: see crimp tool manual	



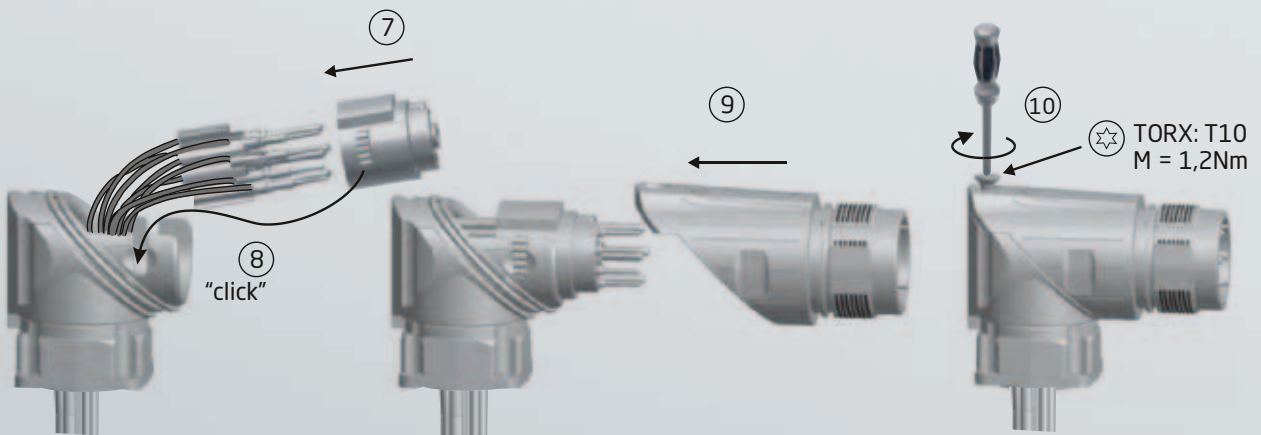
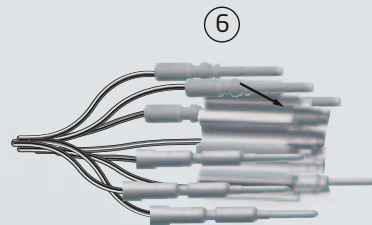
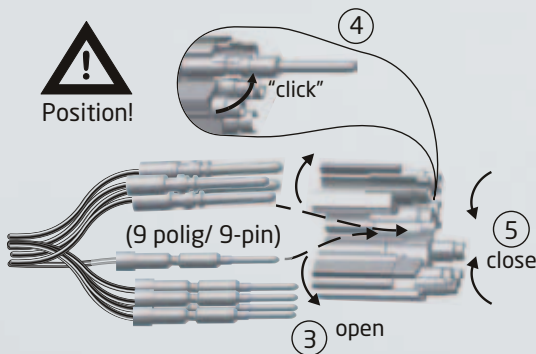


# 923

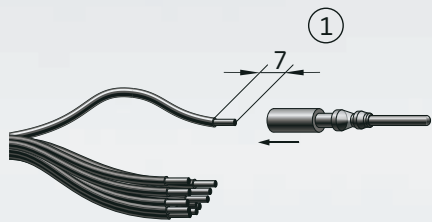
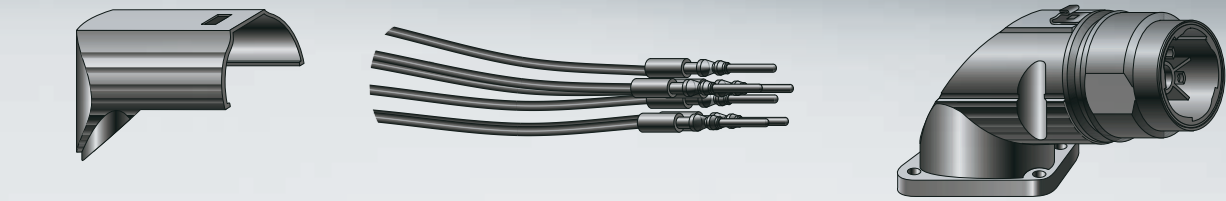
Serie 923 Winkeleinbaudose 8 / 9-polig, drehbar  
 Series 923 Receptacle Angled 8 / 9-pin, rotatable



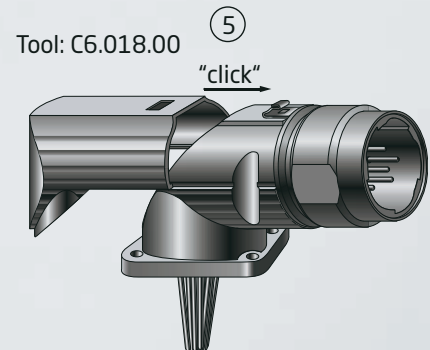
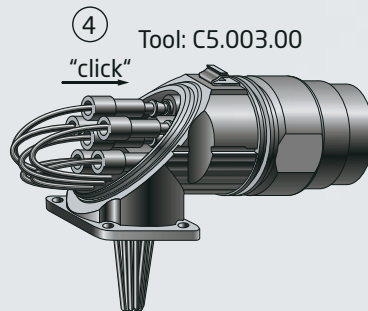
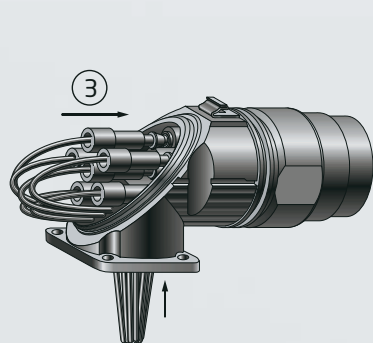
	a[mm <sup>2</sup> ]	Crimp Tool	Positioner	Colour
		No.:	No.:	
Power	0,35 - 2,5	C0.201.00	C0.004.00	blue
	2,5 - 4,0	- " -	- " -	blue
Signal	0,14 - 1,0	C0.201.00	C0.003.00	green
		digital crimp tool C0.236.00	tool settings: see crimp tool manual	



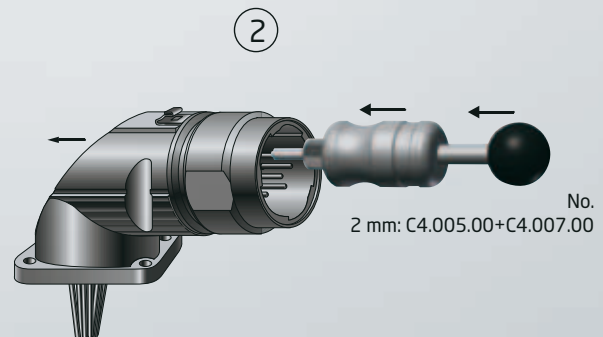
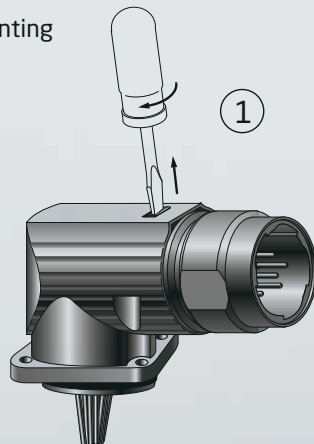
**Serie 923 Winkeleinbaudose 6-polig**  
**Series 923 Receptacle Angled 6-pin**



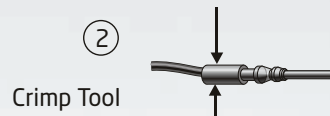
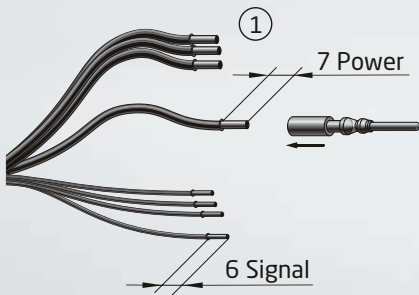
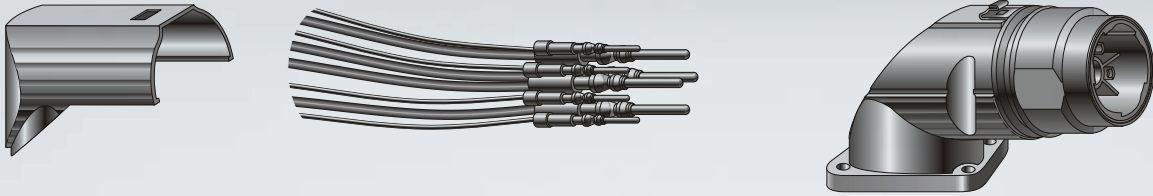
	a[mm <sup>2</sup> ]	Crimp Tool No.:	Positioner No.:	Colour
Power	0,35 - 2,5	C0.201.00	C0.004.00	blue
	2,5 - 4,0	- "-	- "-	blue
		digital crimp tool C0.236.00	tool settings: see crimp tool manual	



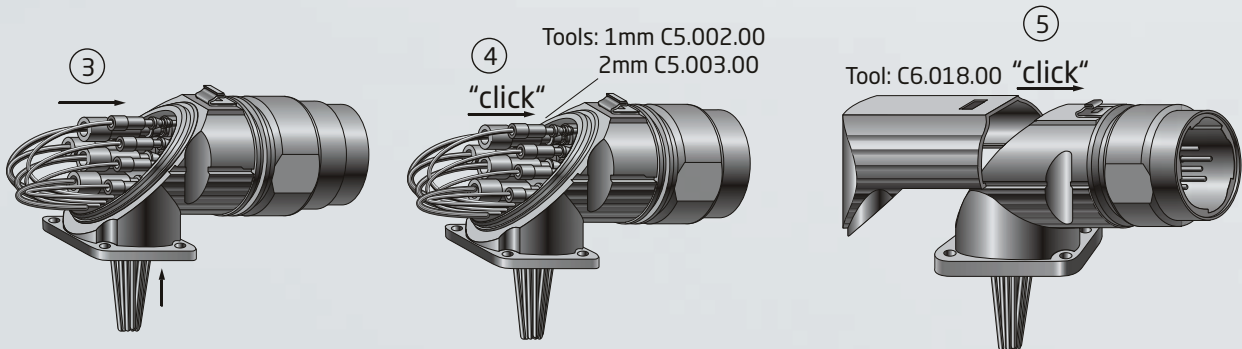
**Demontage / Dismounting**



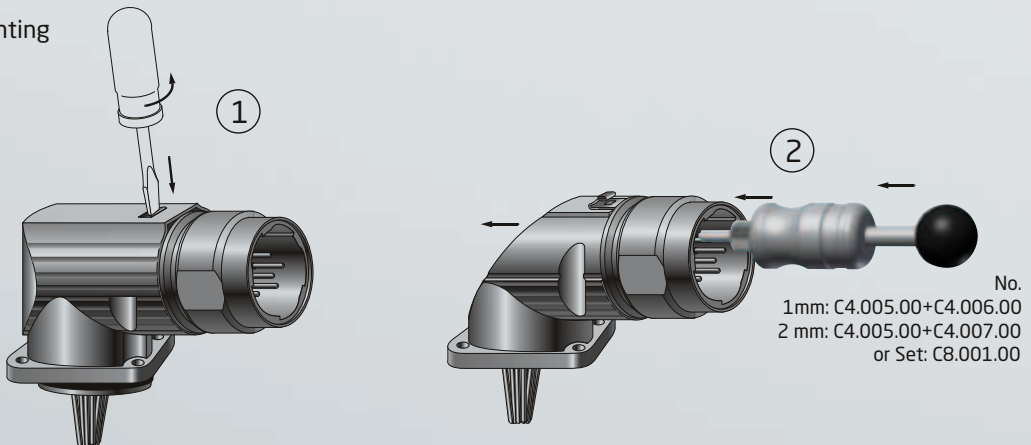
**Serie 923 Winkeleinbaudose 8 / 9-polig**  
**Series 923 Receptacle Angled 8 / 9-pin**



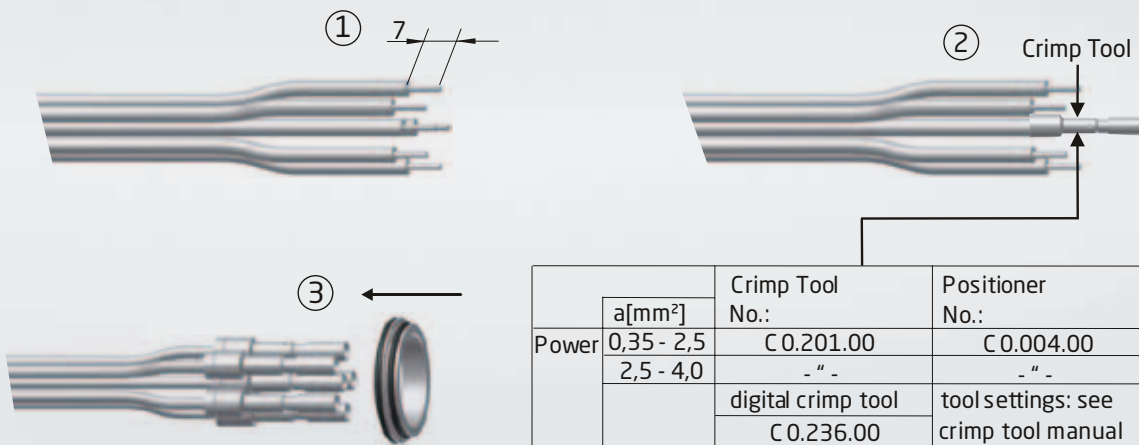
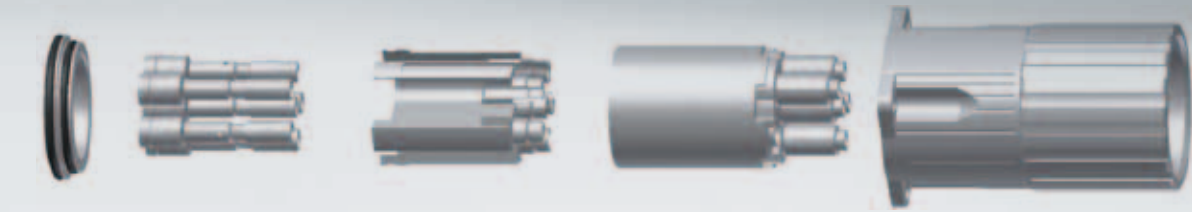
	a[mm <sup>2</sup> ]	Crimp Tool No.:	Positioner No.:	Colour
	Power	0,35 - 2,5	C0.201.00	C0.004.00
	2,5 - 4,0	- "	- "	blue
Signal	0,14 - 1,0	C0.201.00	C0.003.00	green
		digital crimp tool C0.236.00	tool settings: see crimp tool manual	



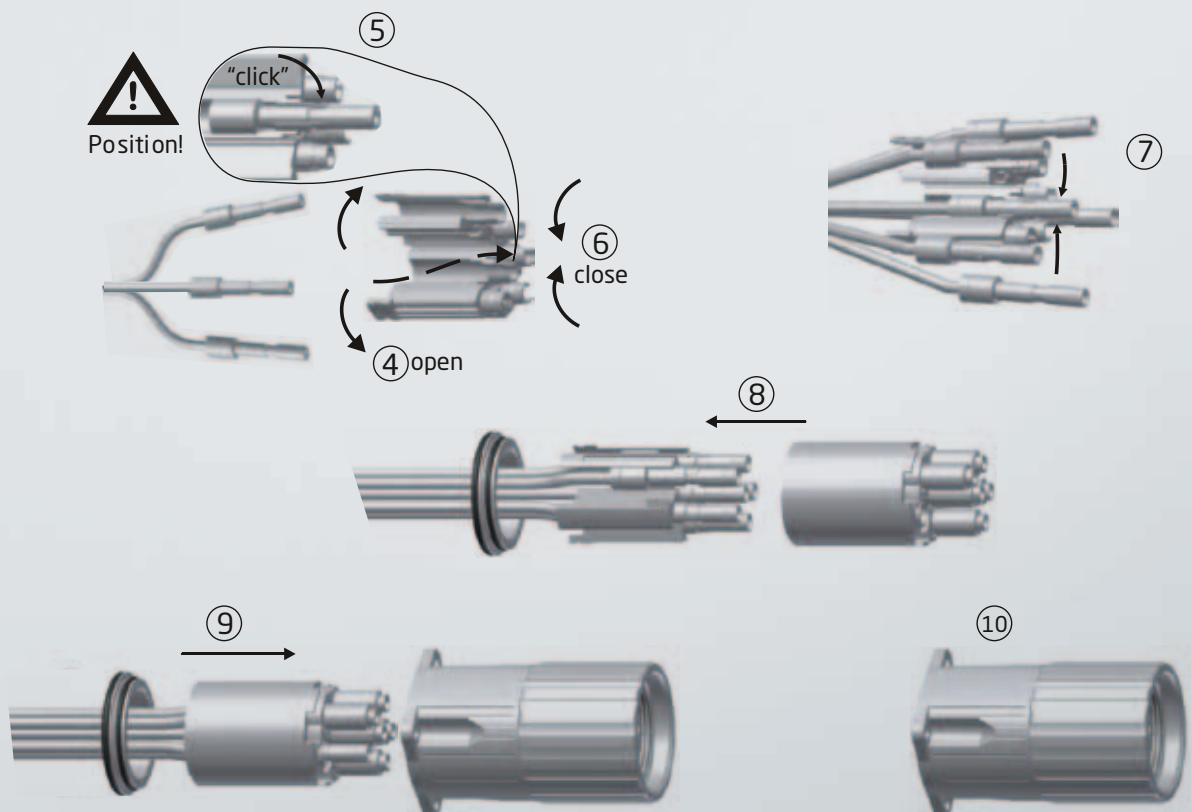
**Demontage / Dismounting**



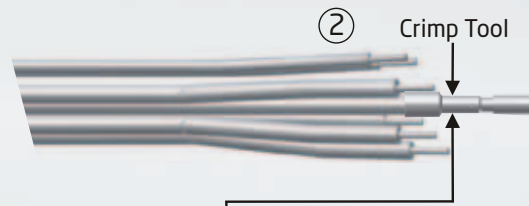
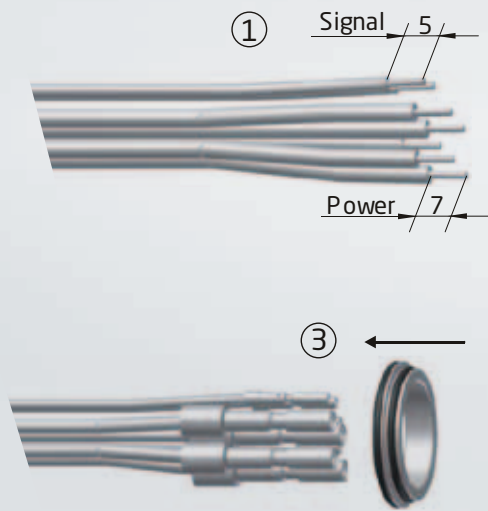
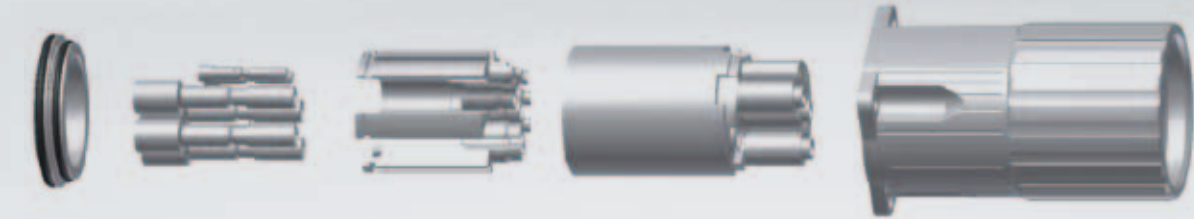
**Serie 923 Durchführung 6-polig, für Crimpkontakte**  
**Series 923 Bulk-Head Connector 6-pin, crimp version**



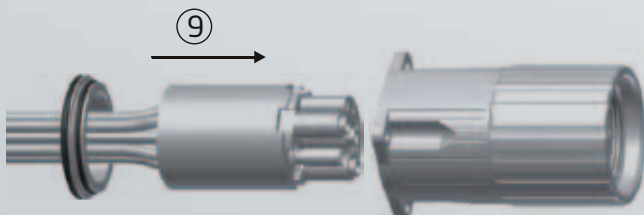
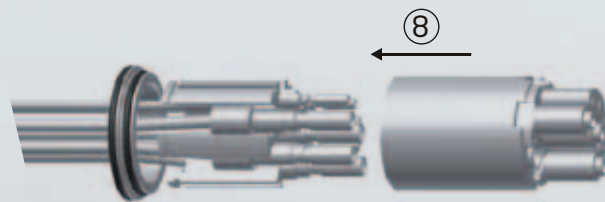
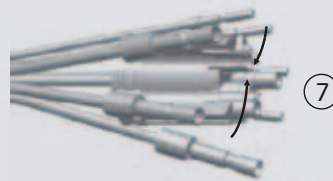
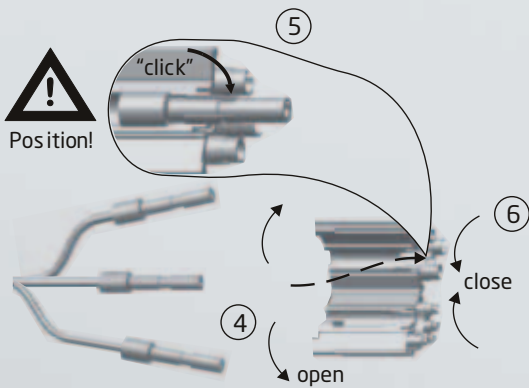
Power	a[mm <sup>2</sup> ]	Crimp Tool No.:	Positioner No.:	Colour
	0,35 - 2,5	C 0.201.00	C 0.004.00	blue
2,5 - 4,0	- " -	- " -	blue	
		digital crimp tool C 0.236.00	tool settings: see crimp tool manual	



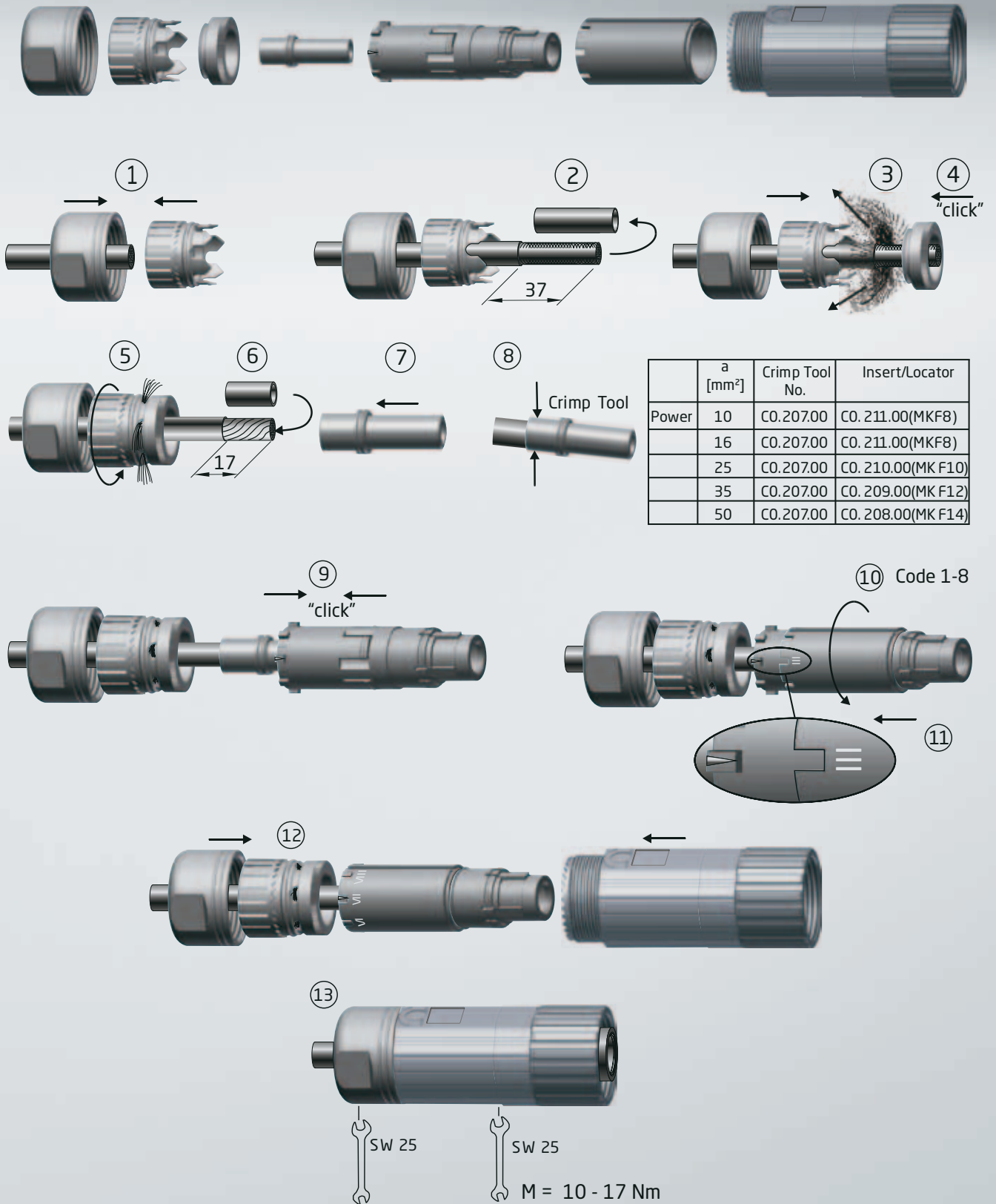
**Serie 923 Durchführung 8-polig, für Crimpkontakte**  
**Series 923 Bulk-Head Connector 8-pin, crimp version**



	a[mm <sup>2</sup> ]	Crimp Tool	Positioner	Colour
		No.:	No.:	
Power	0,35 - 2,5	C 0.201.00	C 0.004.00	blue
	2,5 - 4,0	- " -	- " -	blue
Signal	0,14 - 1,0	C 0.201.00	C 0.003.00	green
		digital crimp tool C 0.236.00	tool settings: see crimp tool manual	

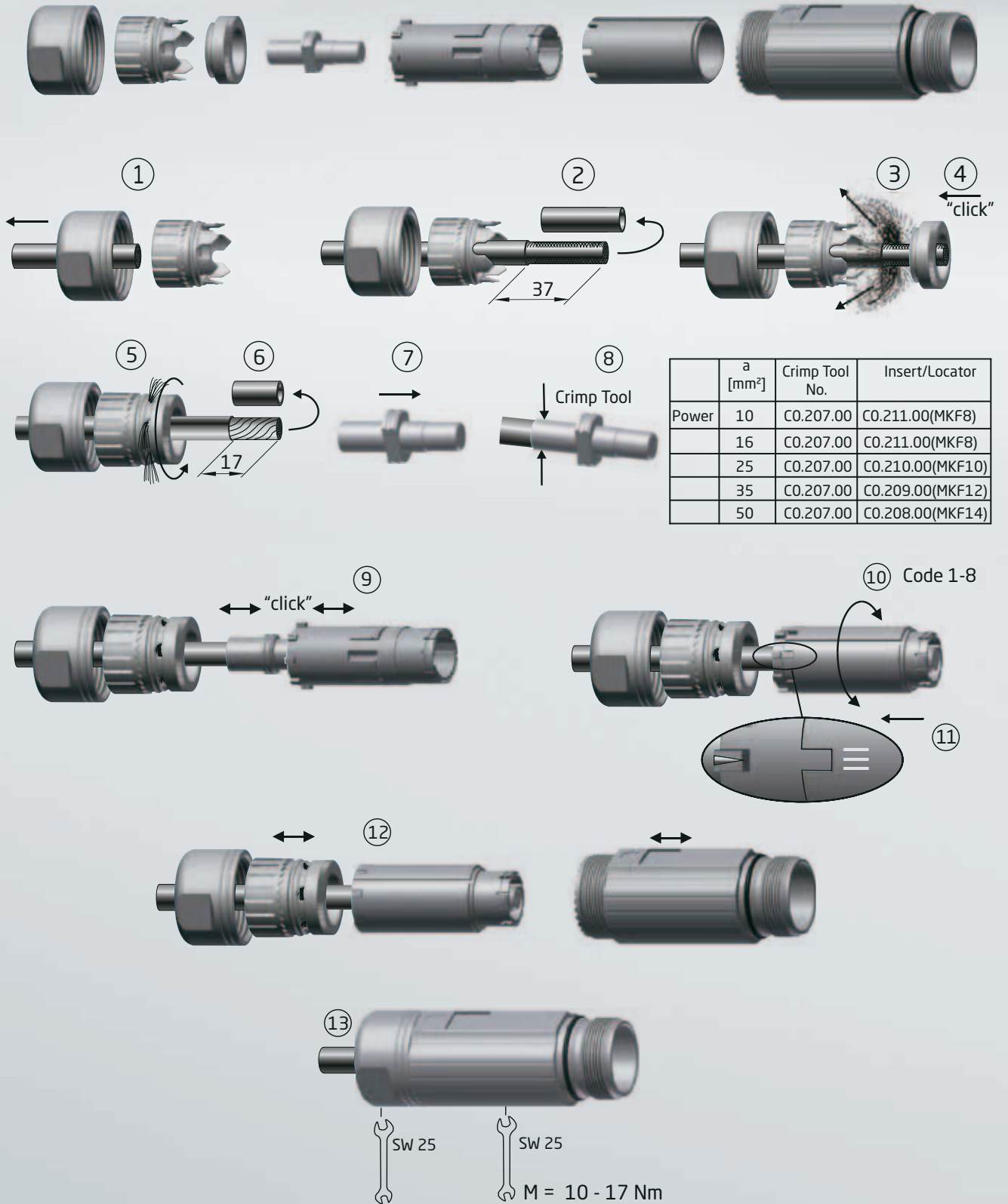


Serie 923 Stecker singletec, 1-polig, für Crimpkontakte  
 Series 923 Plug singletec, 1-pin, crimp version



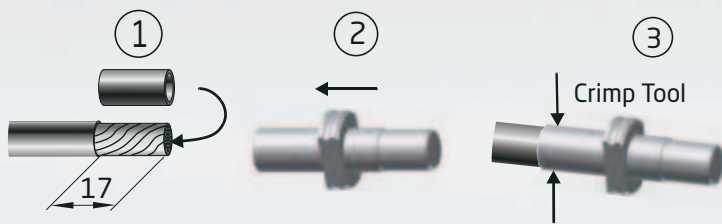
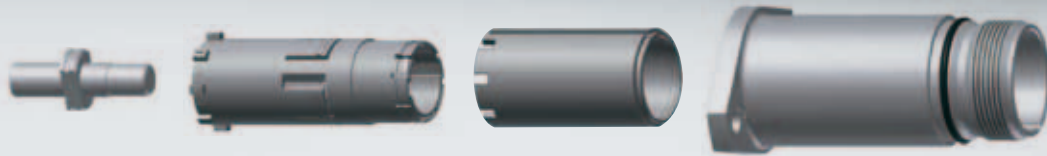
	a [mm <sup>2</sup> ]	Crimp Tool No.	Insert/Locator
Power	10	CO.207.00	CO.211.00(MKF8)
	16	CO.207.00	CO.211.00(MKF8)
	25	CO.207.00	CO.210.00(MK F10)
	35	CO.207.00	CO.209.00(MK F12)
	50	CO.207.00	CO.208.00(MK F14)

Serie 923 Kupplung singletec, 1-polig, für Crimpkontakte  
 Series 923 Extension singletec, 1-pin, crimp version

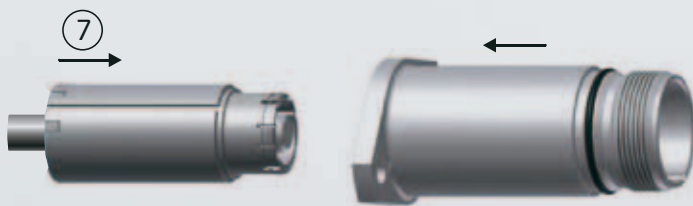
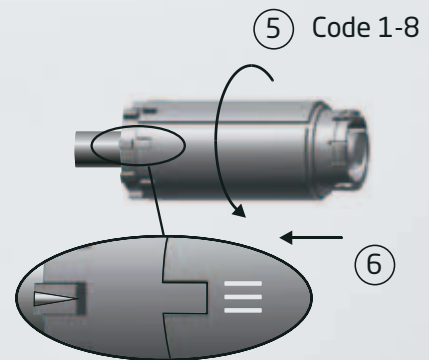
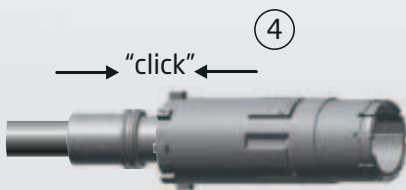


	a [mm <sup>2</sup> ]	Crimp Tool No.	Insert/Locator
Power	10	C0.207.00	C0.211.00(MKF8)
	16	C0.207.00	C0.211.00(MKF8)
	25	C0.207.00	C0.210.00(MKF10)
	35	C0.207.00	C0.209.00(MKF12)
	50	C0.207.00	C0.208.00(MKF14)

**Serie 923 Einbaudose singletec, 1-polig, für Crimpkontakte**  
**Series 923 Receptacle singletec, 1-pin, crimp version**



	a [mm <sup>2</sup> ]	Crimp Tool No.	Insert/Lector
Power	10	C0.207.00	C0.211.00(MKF8)
	16	C0.207.00	C0.211.00(MKF8)
	25	C0.207.00	C0.210.00(MKF10)
	35	C0.207.00	C0.209.00(MKF12)
	50	C0.207.00	C0.208.00(MKF14)



**Demontage / Dismounting**

